

Windlass Tensioner Part Sheet

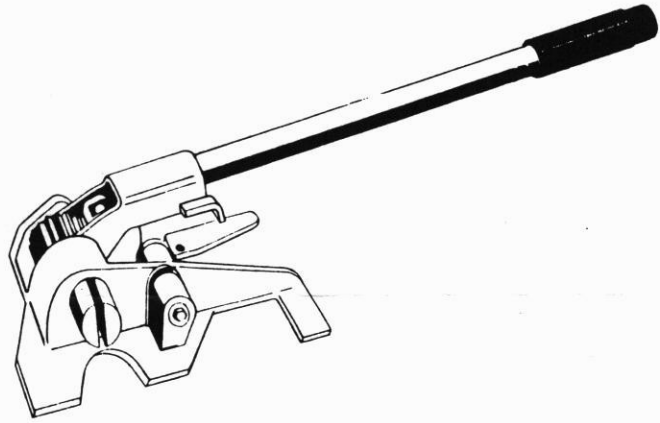
Model# WT. 1 $\frac{1}{4}$
 WT. 1 $\frac{1}{4}$ x .050
 WT. 2

NATIONAL STOCK NUMBER
 3540-00-278-1251
 3540-00-223-8436

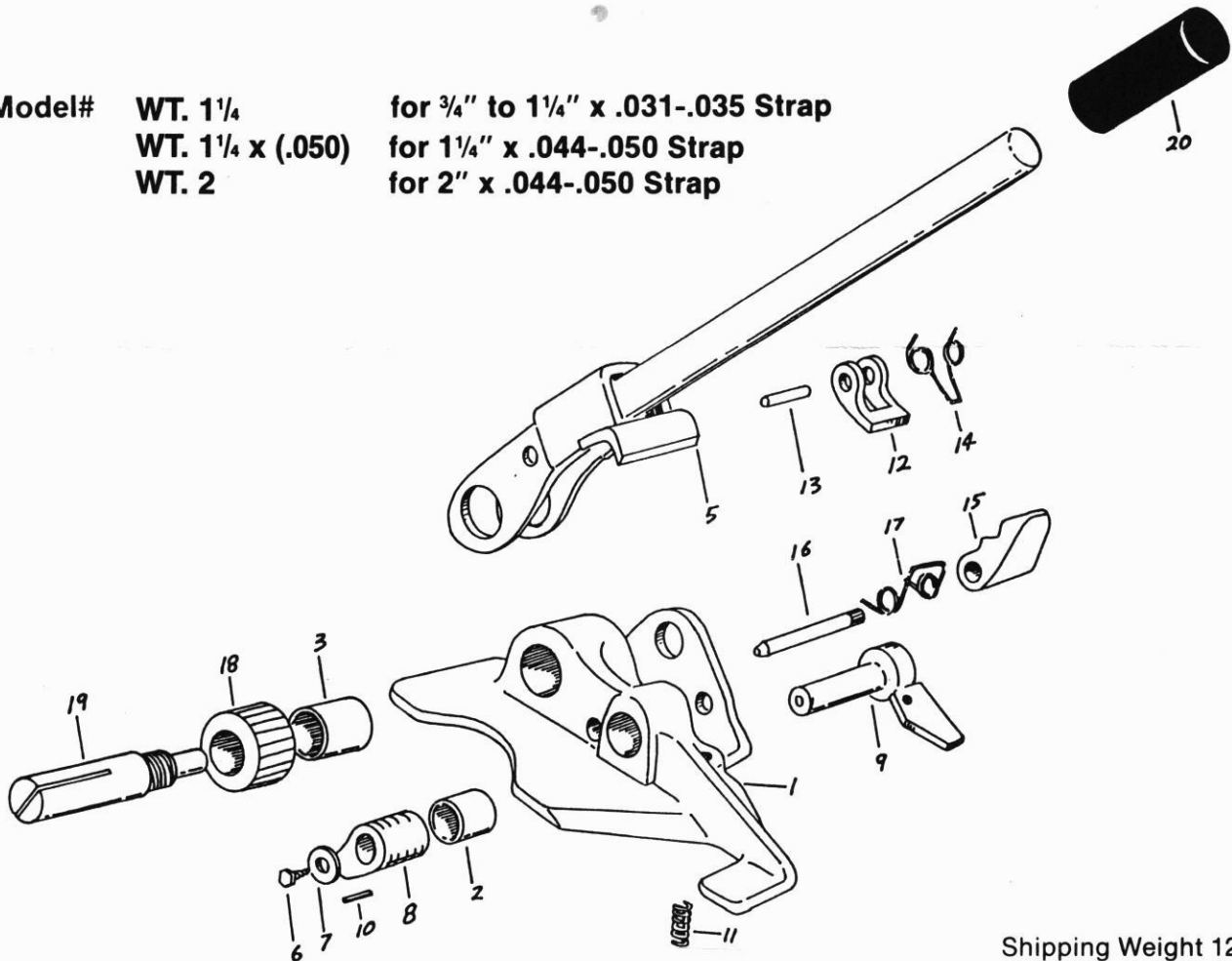
Issue Date 1/90

When ordering parts please specify quantity needed, model of tool and part name.

- 1 - Base
- 2 - Steel Bushing
- 3 - Bronze Bushing
- 5 - Handle
- 6 - Cap Screw
- 7 - Washer
- 8 - Gripper
- 9 - Lever
- 10 - Key
- 11 - Lever Spring
- 12 - Drive Pawl
- 13 - Drive Pawl Pin
- 14 - Drive Pawl Spring
- 15 - Check Pawl
- 16 - Check Pawl Pin
- 17 - Check Pawl Spring
- 18 - Ratchet Wheel
- 19 - Windlass Shaft
- 20 - Handle Grip



Model# WT. 1 $\frac{1}{4}$ for $\frac{3}{4}$ " to 1 $\frac{1}{4}$ " x .031-.035 Strap
 WT. 1 $\frac{1}{4}$ x (.050) for 1 $\frac{1}{4}$ " x .044-.050 Strap
 WT. 2 for 2" x .044-.050 Strap



Shipping Weight 12 Lbs.