

Feedwheel Tensioner Part Sheet

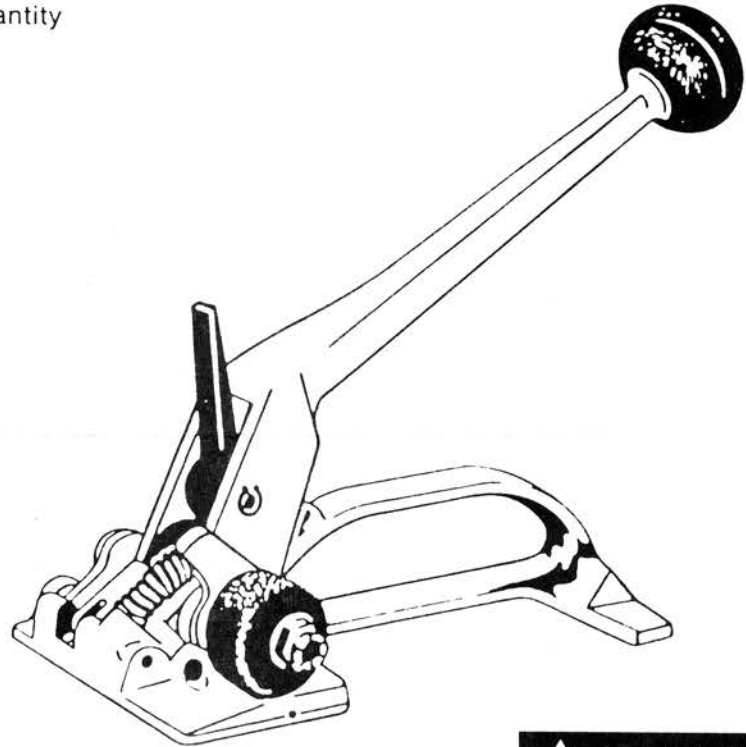
Model# FT 3/4

NATIONAL STOCK NUMBER
3540-00-857-8512

Issue Date 2/90

When ordering parts please specify quantity needed, model of tool and part name.

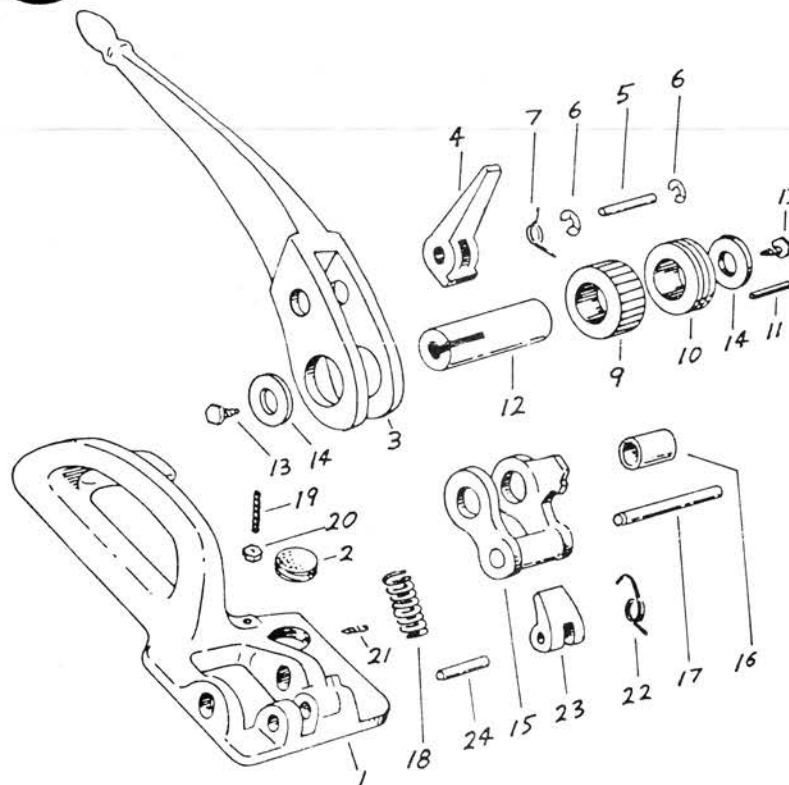
- 1 - Base
- 2 - Clutch Plug
- 3 - Handle
- 4 - Drive Pawl
- 5 - Drive Pawl Pin
- 6 - Drive Pawl Pin Clips (2 req'd)
- 7 - Drive Pawl Spring
- 8 - Ball Grip
- 9 - Ratchet Wheel
- 10 - Feedwheel
- 11 - Key
- 12 - Feedwheel Shaft
- 13 - Screw (2 req'd)
- 14 - Washer (2 req'd)
- 15 - Rocker (includes #16)
- 16 - Bronze Bushing
- 17 - Rocker Pin
- 18 - Load Spring
- 19 - Set Screw
- 20 - Jam Nut
- 21 - Clutch Plug Screw
- 22 - Check Pawl Spring
- 23 - Check Pawl
- 24 - Check Pawl Pin



DANGER
ALWAYS WEAR SAFETY GLASSES
READ SAFETY INSTRUCTIONS



FT 3/4 - For use with 3/8" x .010 thru
3/4" x .023 Regular Duty Steel Strapping



Shipping Weight 6 lbs.